




# Pig Signaller - flange connection

## Basic Feature or Parameter

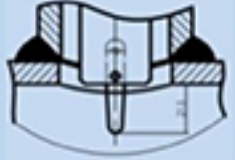
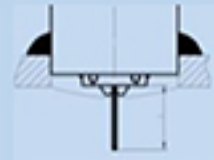
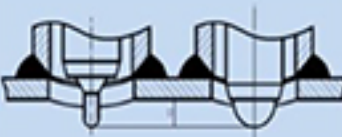
Item \ Indicator code	 <b>B</b>	 <b>C</b>	 <b>D</b>
Type	Intrusive		
Indicator feature	Manual reset flag	Manual reset flag combined with electrical signals	Date and time display combined with electrical signals
Installing type	2"Flange.As per ASME B16.5 (CLASS150~2500)		
Plug body length _Correspond to total stand off	200mm/Meet the actual needs		
Operating temperature	—20~120°C/Meet customer requirements		
NACE MR – 01- 75	Yes		
Ingress protection	IP65/IP66		
Explosion-proof class		Exd II BT4	Exd II BT4
Remove under pressure	NO		

## Optional Feature

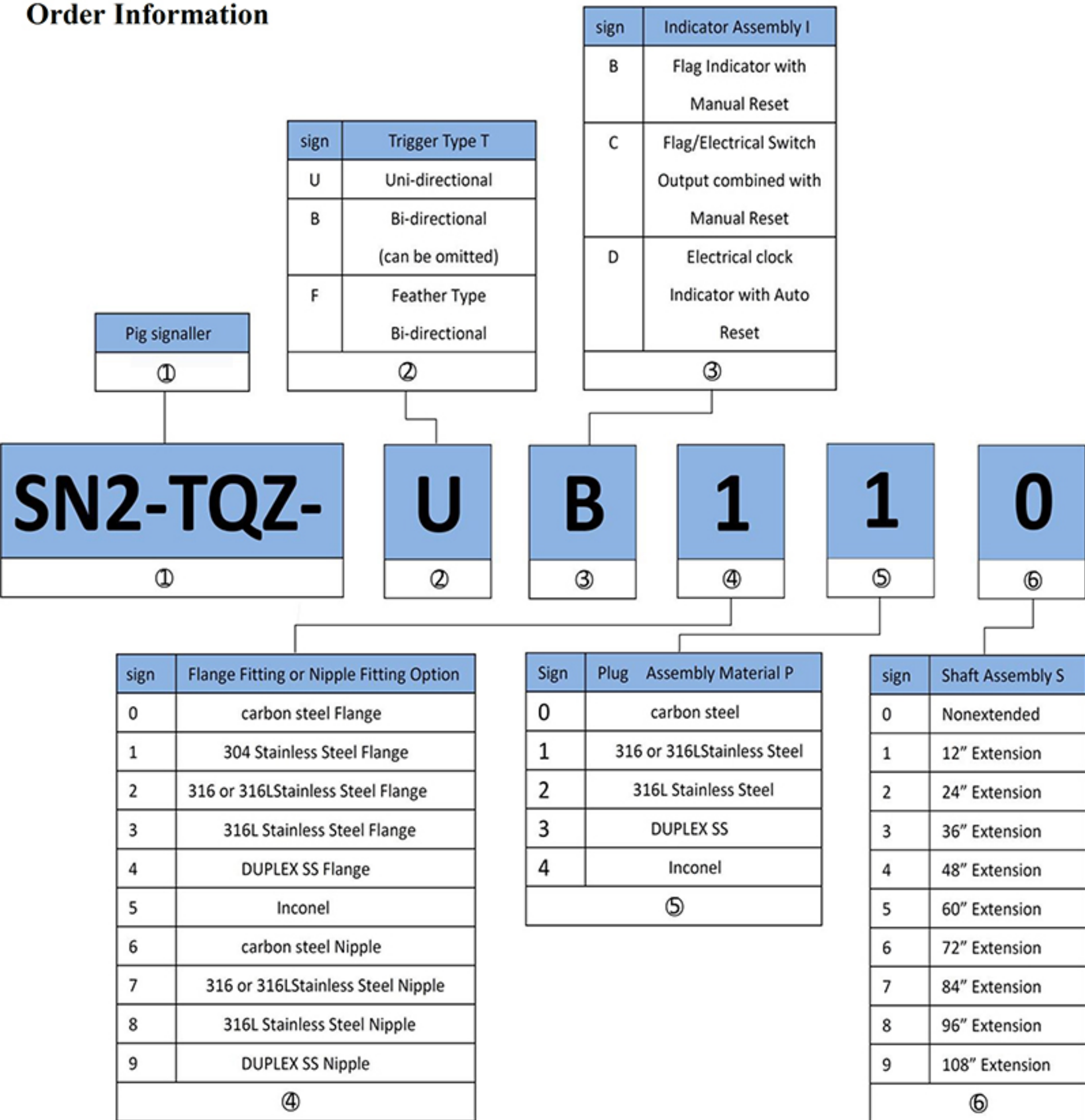
● Standard configuration	○ Optional configuration		— None
<u>Trigger type</u> (B-bi-directional/F-Bi-directional feather /U-Uni-directional*)	●/○/○		
<u>Trigger mechanism-Flag interaction</u> (No/Yes_ The flexibility of trigger mechanism would be checked online)	—/●	—/●	—/—
<u>Internal part material</u> (316L SS/DSS/INCONEL)	●/○/○		
<u>Flange/Body material</u> (PTFE Coated A105N/304SS/316LSS/DSS/INCONEL /As per MR)	●/○/○/○/○/○		
<u>The position of Internal liquid surface</u> (High_Need to heating/Low_ With no need for heating)	●/○		
<u>Junction box material</u> (Aluminium alloy/316SS)	—/—	●/○	●/—
<u>Switch type</u> (DPDT/SPDT)	—/—	○/●	○/●
<u>Switch rating</u> (DC24V 3A/DC24V 5A)	—/—	●/○	●/—
<u>Electrical connection size</u> (M20×1.5(F)/1/2"NPT(F))	—/—	●/○	●/—

\* Standard configuration of Uni-directional trigger is ball shape.

### Corresponding relations between trigger and Insert depth (In pipe)

Trigger type			
	<b>Bi-directional</b>	<b>Bi-directional feather</b>	<b>Uni-directional</b>
Insert depth (In pipe)	21mm	30mm	13mm

# Order Information



Model Code: SN2-TQZ-TIFPS

## Order Example

SN2-TQZ-BC020 or SN2-TQZ-C020 is a bidirectional trigger pig signaller with Manual Reset Flag/ manual Reset Switch, a carbon steel Flange Fitting, a 316L Stainless Steel Plug Assembly, no extended shaft.